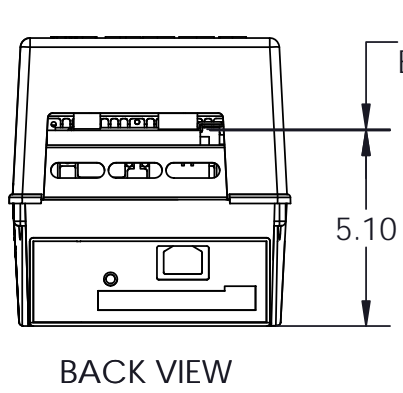
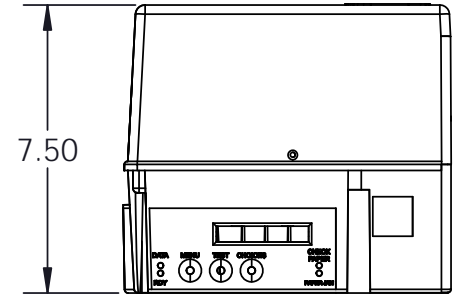


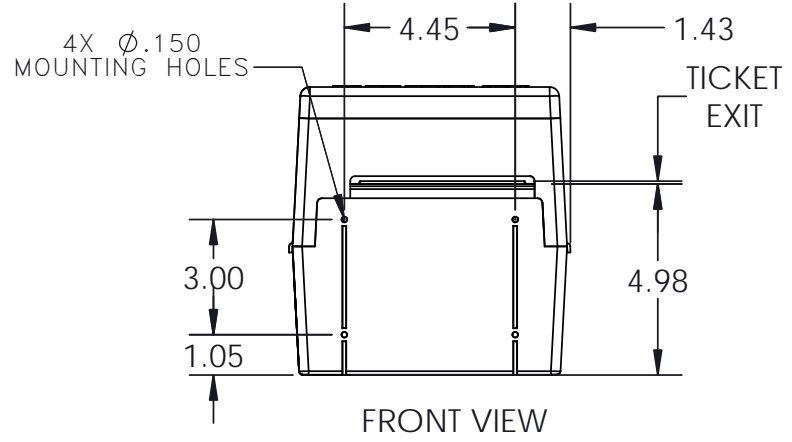
REVISIONS			
LTR	DESCRIPTION	BY	DATE
A	RELEASE	G.G.	2/28/12
B	UPDATED LEMUR DIMENSIONS/ADDED NOTES/ CHANGED DRAWING PNo. WAS SK01031201	OM	01/16/19



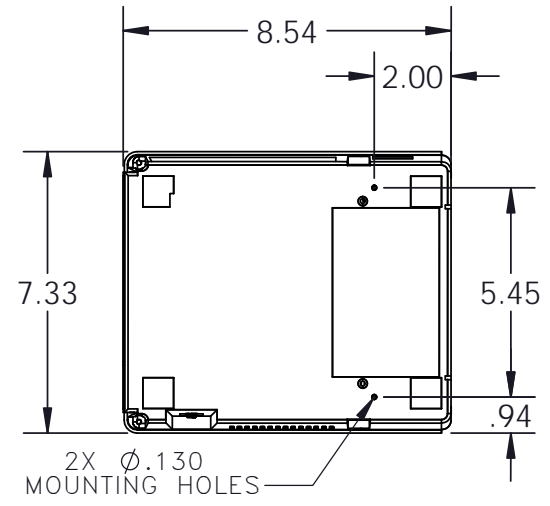
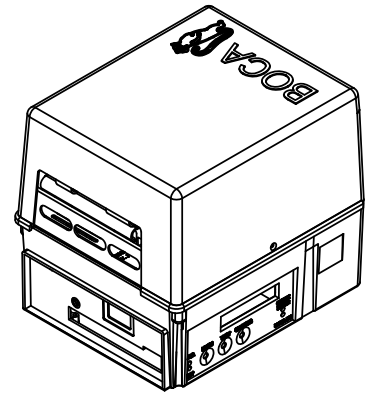
BACK VIEW



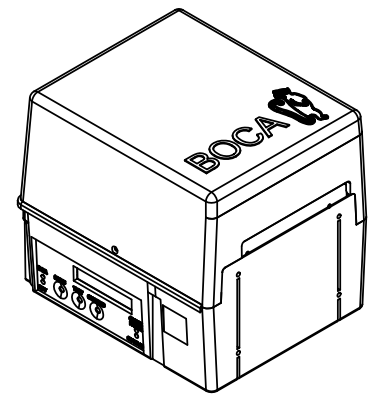
SIDE VIEW



FRONT VIEW



BOTTOM VIEW



MATERIAL: ERROR!:MaterialList ERROR!:Sheetmetal Thickness	UNLESS SPECIFIED DIMENSIONS ARE IN INCHES	CUST. APP.	ENGR. MOD
FINISH: ERROR!:Finish ERROR!:2Finish	FRACTION DECIMAL ANGLE $\pm$ - .XX $\pm$ .010 .XXX $\pm$ .005 $\pm$ 1/2°	DWN BY A.C.	ENGR. APP.
APPLICATION		PAGE	OF SCALE:
ASSEMBLY	MODEL	1 / 1	NONE
	LEMUR	1	
	PLASTIC		
		DATE	2/29/2012

*BOCA Systems, Inc.*

LEMUR  
REFERENCE DRAWING

CODE IDENT. No.	SIZE	DRAWING NO.	REV.
	A	424150	B

REMOVE ALL BURRS AND SHARP EDGES