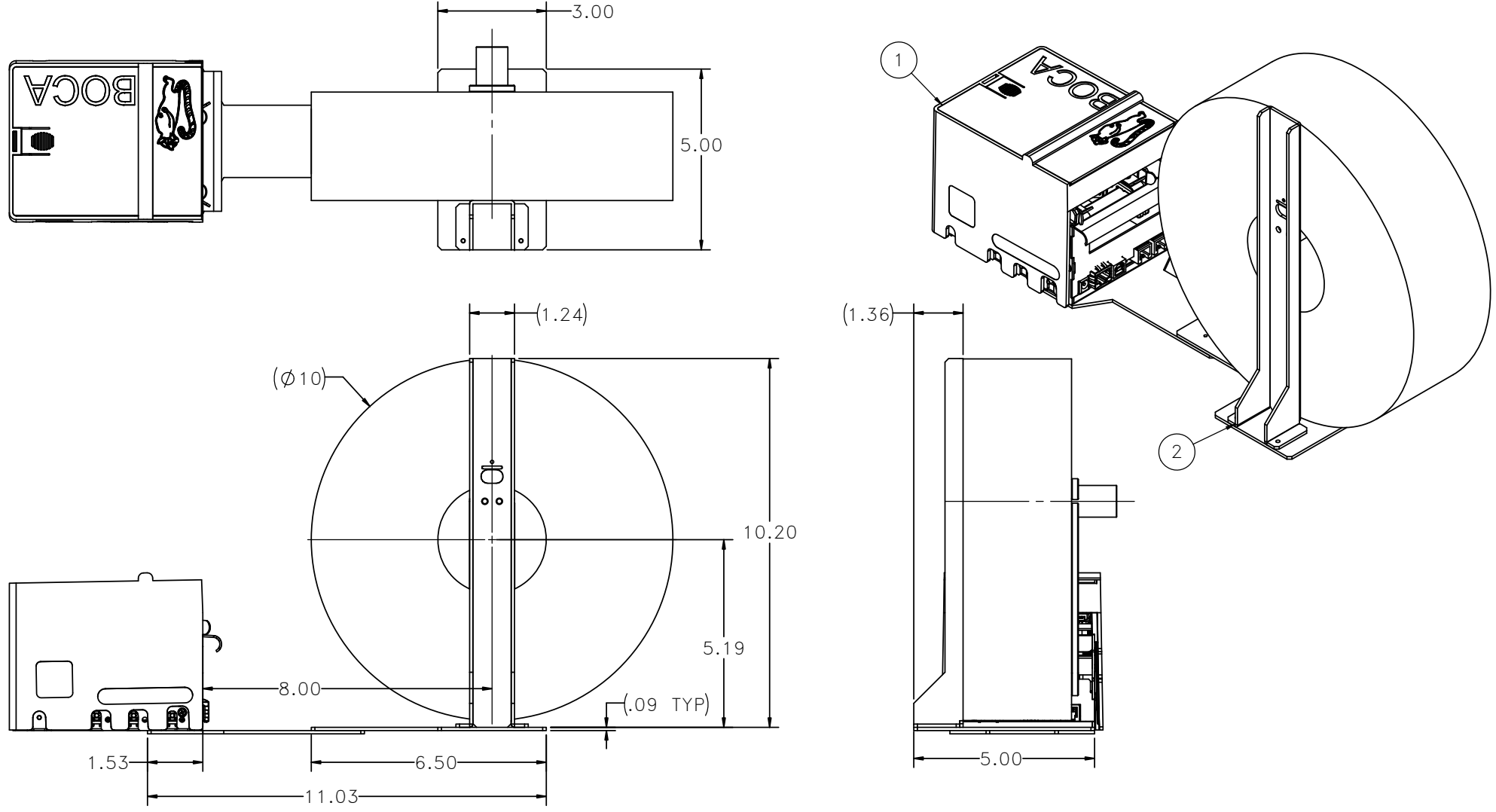


ITEM NO.	PART NUMBER	DESCRIPTION	WEIGHT	
1	424127-STD (REV g)	Short Upg - Lemur-X	1.95	1
2	424184-RH-ASSY (REV a)	Lemur-X-Upg Roll Holder Assembly	0.682	1



REMOVE ALL BURRS & SHARP EDGES			UNLESS SPECIFIED DIMS ARE IN INCHES	
APPLICATION			FRACTION	DECIMAL ANGLE
ASSEMBLY	MODEL	QTY.	± .XX± ±	± .XXX± ±
			DWN. BY	APPR. BY
	LEMUR-X/UPG		DATE CREATED	3/18/2020

BOCA Systems, Inc.

UPG LEMUR X ROLL HOLDER

SCALE: 1:4	SIZE C	DRAWING NO. 424184-RH-1	WT. 2.634
SHEET 1 OF 1			REV. A

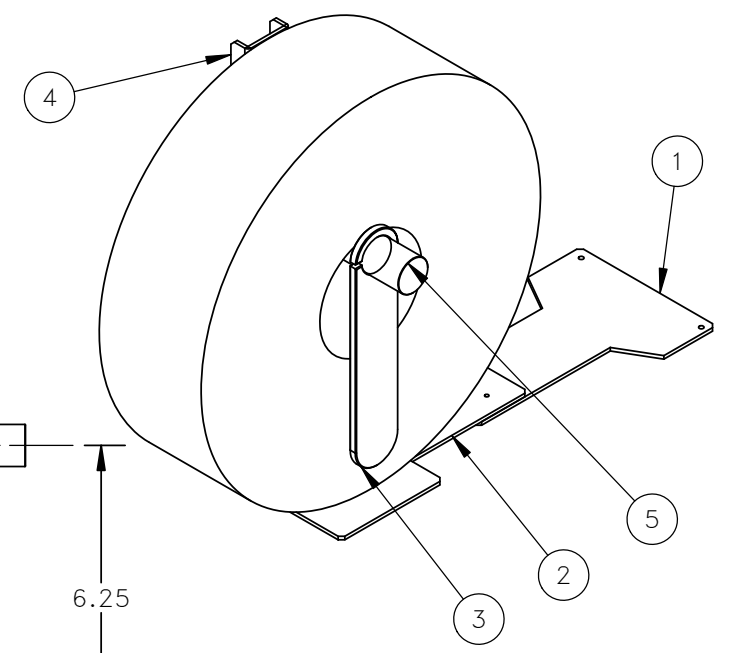
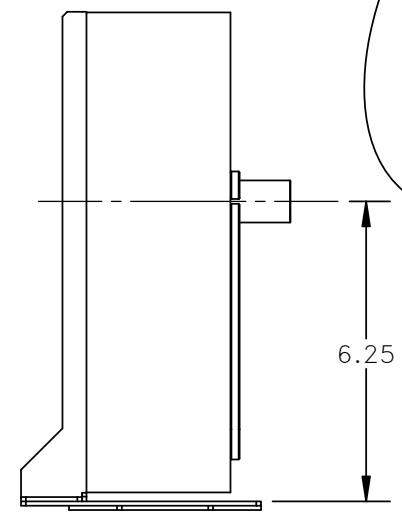
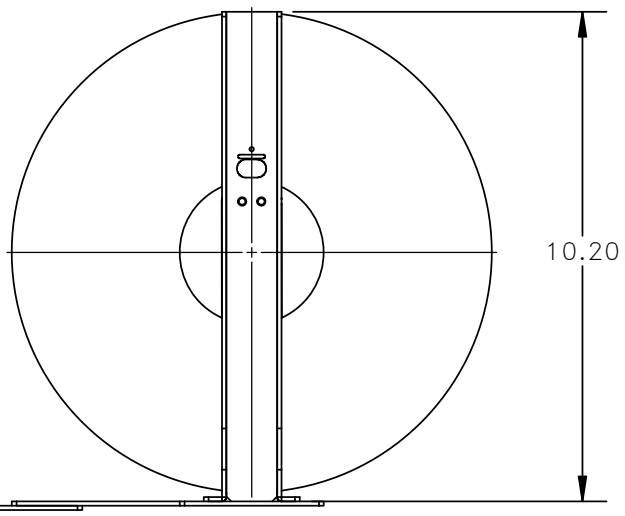
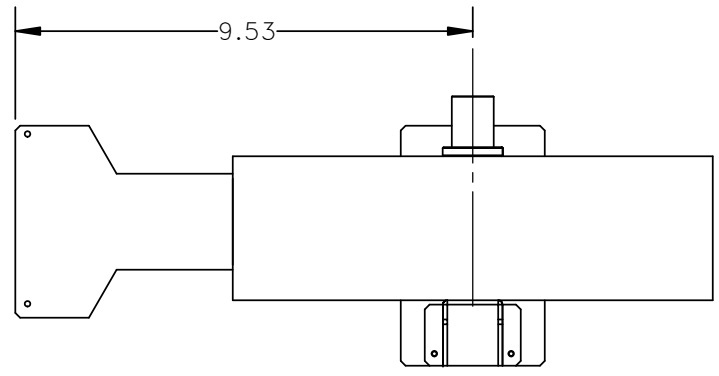
REMOVE ALL BURRS AND SHARP EDGES

8/10/2020

REVISIONS

LTR	DESCRIPTION	BY	DATE
-----	-------------	----	------

ITEM NO.	PART NUMBER	DESCRIPTION	MATERIAL	Thickness	QTY.
1	424183-2-B (REV B)	Lemur-X Upg Base Bkt	5052-H32	0.09	1
2	424183-B (REV B)	Lemur-X Upg Roll Base	5052-H32	0.09	1
3	424183-WSH (REV C)	UPG Roll Washer	BLACK DELRIN		1
4	424004-5-UPG (REV D)	Lemur-X, Upg Roll Stand	5052-H32 AL	0.09	1
5	424004Z2-3 (REV A) Roll Stock Spindle				1



REMOVE ALL BURRS AND SHARP EDGES

REMOVE ALL BURRS & SHARP EDGES			UNLESS SPECIFIED DIMS ARE IN INCHES	
APPLICATION			FRACTION	DECIMAL ANGLE
ASSEMBLY	MODEL	QTY.	± .XX±	±
	LEMUR-X	0	± .XXX±	
			DWN. BY	APPR. BY
			DATE CREATED	
			3/18/2020	

BOCA Systems, Inc.

ROLL HOLDER ASSEMBLY

WT.
0.682

SCALE: 1:4	SIZE: A	DRAWING NO. 424184-RH-ASSY	REV. A
SHEET 1 OF 1			

8/10/2020